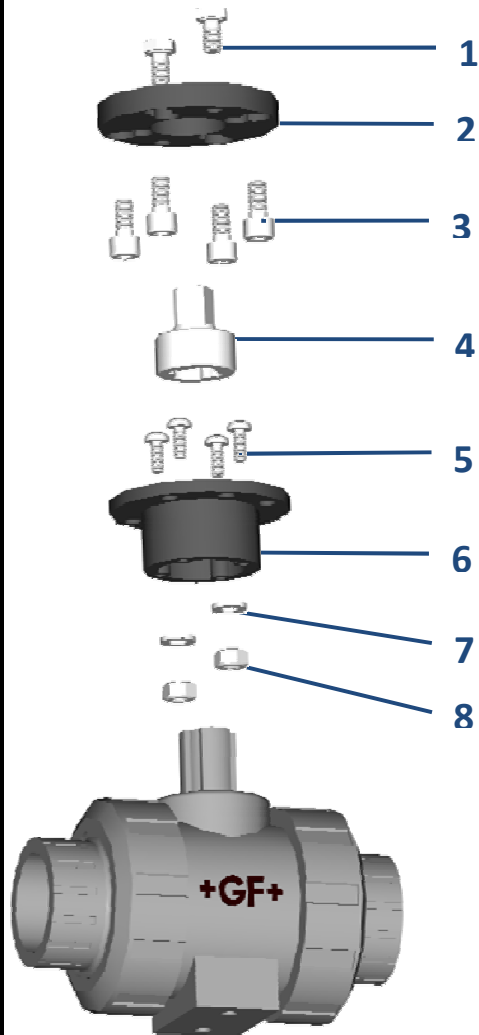


MOUNTING KIT BALL VALVE GF TYPE 546



SIZE	DESCRIPTION	MATERIAL
1	SCREW DIN933	A2 S.STEEL
2	ADAPTER PLATE	PA-GR
3	SCREW DIN7984	A2 S.STEEL
4	DRIVE ADAPTER □	ZAMAK + TFT
5	SCREW RF81T	ZINCING
6	MOUNTING FLANGE	PA-GR
7	WASHER DIN125	A2 S.STEEL
8	NUT DIN934	A4 S.STEEL

CODE KIT	
DN15	MM00537
DN15 F04	MM01323
DN20/DN25	MM00538
DN20 F04 DN25 F04	MM01253
DN32/DN40	MM00539
DN50	MM00540

SIZE	DN15	DN15 F04	DN20	DN20 F04	DN25	DN25 F04	DN32	DN40	DN50	UNITS
	D20	D20 F04	D25	D25 F04	D32	D32 F04	D40	D50	D63	
	1/2"	1/2" F04	3/4"	3/4" F04	3/4"	3/4" F04	1 1/4"	1 1/2"	2"	
1	M6x16	M6x16	M6x16	M6x16	M6x16	M6x16	M6x16	M6x16	M6x16	2
2	F03-F05	F04	F03-F05	F04	F03-F05	F04	F03-F05	F03-F05	F03-F05	1
3	M5x10	M5x10	M5x10	M5x10	M5x10	M5x10	M5x10	M5x10	M5x10	4
3	M6X12	M6X12	M6X12	M6X12	M6X12	M6X12	M6X12	M6X12	M6X12	4
4	□11	□11	□11	□11	□11	□11	□11	□11	□11	1
5	M3x10	M3x10	M3x10	M3x10	M3x10	M3x10	M4x16	M4x16	M4x16	4
6	DN15	DN15	DN20-DN25	DN20	DN20-DN25	DN25	DN32-DN40	DN32-DN40	DN50	1
7	M6	M6	M6	M6	M6	M6	M6	M6	M6	2
8	M6	M6	M6	M6	M6	M6	M6	M6	M6	2