

J+J

**LIMIT
SWITCH
BOXES**

CB SERIES



CE MADE IN THE EUROPEAN UNION

INDEX

OUR CB LIMIT SWITCH BOXES	03
LIMIT SWITCH BOXES CB SERIES DATASHEET	
· SS-5GL LIMIT SWITCHES	04
· NBB2-V3-E2 INDUCTIVE PROXIMITY	05
· SJ3,5-N INDUCTIVE PROXIMITY	06
CONTACT	07

WHY CHOOSE OUR LIMIT SWITCH BOXES

Our **Limit Switch Boxes** are a key component in pneumatic actuator control systems, playing a crucial role in monitoring and precisely tracking their operation. With a compact and highly adaptable design, this device offers exceptional versatility, allowing for a wide range of configurations to meet the specific needs of each industrial application.

We manufacture the signaling boxes entirely in Spain, ensuring high standards of quality and a controlled, reliable production process. Our commitment to excellence is reflected in every stage of manufacturing, ensuring that our products meet the highest expectations of our customers.





CB Series

CB2GO00TAPSS (carbon steel epoxy coated bracket)
 CB2GO00TIPSS (stainless steel bracket)

general characteristics

Part name	Material
Body	Polypropylene with 20% Glass Fiber
Lid	Polycarbonate
Shaft	Polypropylene with 30% Glass Fiber / or Stainless Steel
Screws	Stainless Steel
Bracket	Carbon Steel Epoxy Coated / or Stainless Steel AISI 304

Dimensions: 122x89x72mm
 Protection: EN 60529 IP 67
 Temp.: -20°C to +80°C
 Color: Grey
*other colors contact us
 Connection: 2 threaded for M-16
* M-20 optional or 1/2" NPT
 ** optional solenoid cable

SS-5GL LIMIT SWITCHES information

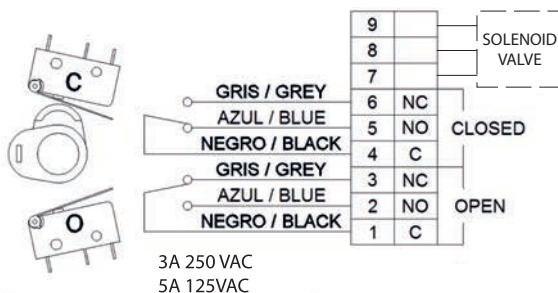


Microswitch: Omron SS-5GL
 Contact Form: SPDT
 Rated voltage: 125VAC 250 VAC
 Resistive load: 5A 3A



Contact	Specification	Rivet
	Material	Silver
	Gap (standard value)	0.5 mm
Inrush current	NC	20 A max.
	NO	10 A max.
Minimum applicable load (reference value)*		5 VDC 160 mA

wiring diagram



general dimensions

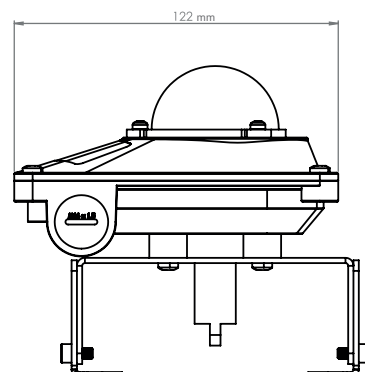
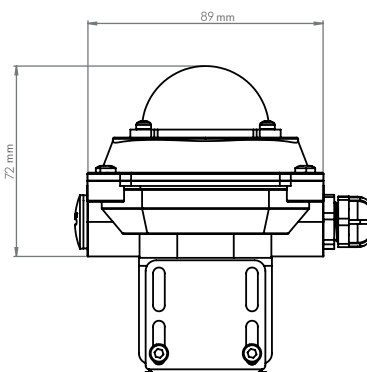


UNIVERSAL BRACKET

- 80 X 30 X 45 mm
- 80 X 30 X 55 mm
- 130 X 30 X 55 mm
- 130 X 30 X 75 mm

SMALL BRACKET

- 50 X 25 X 45 mm



**J+J**

LIMIT SWITCH BOX



CB Series

CB2GP23TAPSS (carbon steel epoxy coated bracket)
 CB2GP23TIPSS (stainless steel bracket)

general characteristics

Part name	Material
Body	Polypropylene with 20% Glass Fiber
Lid	Polycarbonate
Shaft	Polypropylene with 30% Glass Fiber / or Stainless Steel
Screws	Stainless Steel
Bracket	Carbon Steel Epoxy Coated / or Stainless Steel AISI 304

Dimensions: 122x89x72mm
 Protection: EN 60529 IP 67
 Temp.: -20°C to +80°C
 Color: Grey
*other colors contact us
 Connection: 2 threaded for M-16
*M-20 optional or 1/2" NPT
 ** optional solenoid cable

NBB2-V3-E2 INDUCTIVE PROXIMITY information

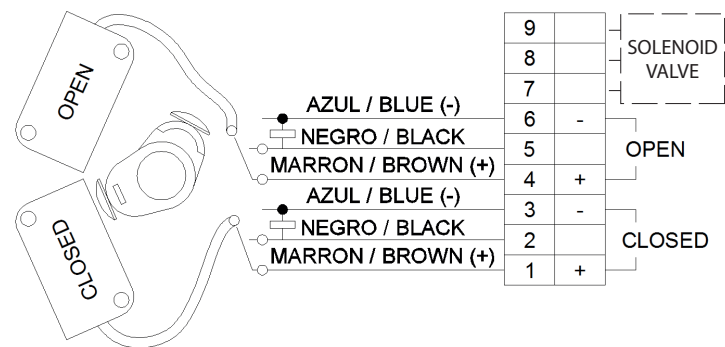


Inductive proximity sensor: NBB2-V3-E2 Pepperl+Fuchs
 Switching function: Normally Open (NO)
 Operating voltage: 10 to 30 V CC
 Operating current: 0 to 100 mA

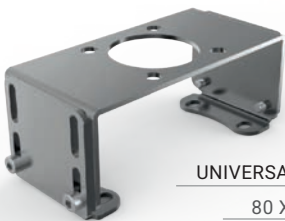
Switching frequency:	0 ... 1000 Hz
Voltage drop:	≤ 3 V
Off-state current:	0 ... 0.5 mA typ. 0.1 µA at 25 °C
No-load supply current:	≤ 15 mA



wiring diagram



general dimensions

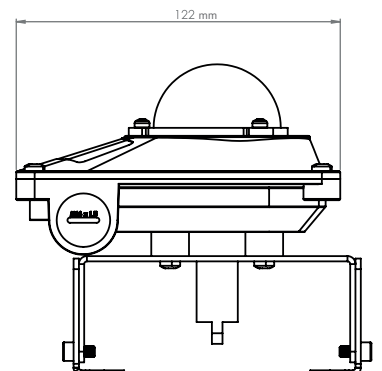
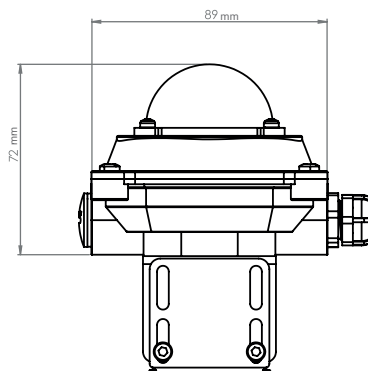


UNIVERSAL BRACKET

80 X 30 X 45 mm
 80 X 30 X 55 mm
 130 X 30 X 55 mm
 130 X 30 X 75 mm

SMALL BRACKET

50 X 25 X 45 mm



**J+J**

LIMIT SWITCH BOX



CB Series

CB2GP07TAPSS (carbon steel epoxy coated bracket)
 CB2GP07TIPSS (stainless steel bracket)

general characteristics

Part name	Material
Body	Polypropylene with 20% Glass Fiber
Lid	Polycarbonate
Shaft	Polypropylene with 30% Glass Fiber / or Stainless Steel
Screws	Stainless Steel
Bracket	Carbon Steel Epoxy Coated / or Stainless Steel AISI 304

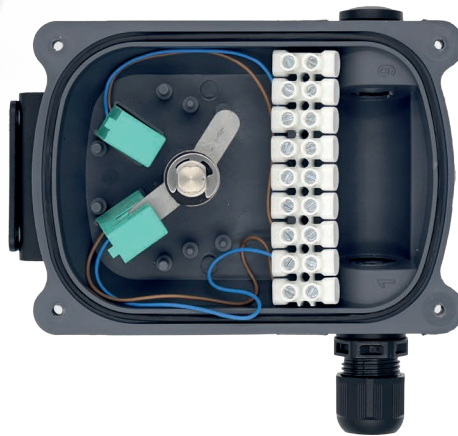
Dimensions: 122x89x72mm
 Protection: EN 60529 IP 67
 Temp.: -20°C to +80°C
 Color: Grey
*other colors contact us
 Connection: 2 threaded for M-16
*M-20 optional or 1/2" NPT
 ** optional solenoid cable

SJ3,5-N INDUCTIVE PROXIMITY information

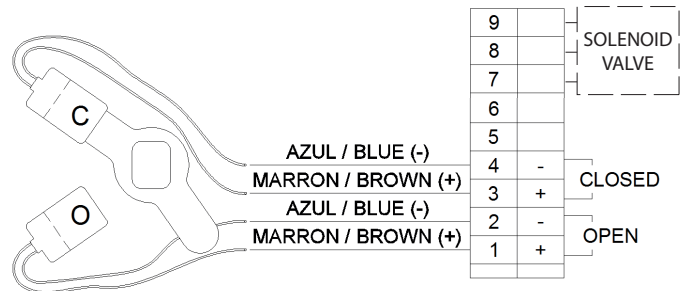


Inductive slot sensor: SJ3,5-N Pepperl+Fuchs
 Switching function: Normally Closed (NC) NAMUR
 Nominal voltage: 8,2 V (Ri aprox. 1 kΩ)
 Operating voltage: 5 to 25 V

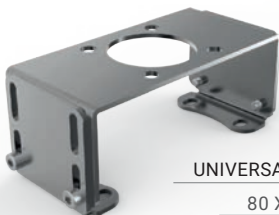
Switching frequency:	0 ... 3000 Hz
Hysteresis:	0.41 ... 0.6 mm
Voltage drop:	≤ 3 V



wiring diagram



general dimensions

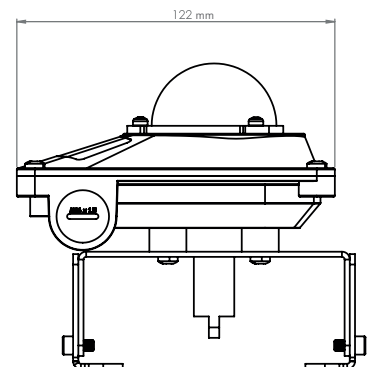
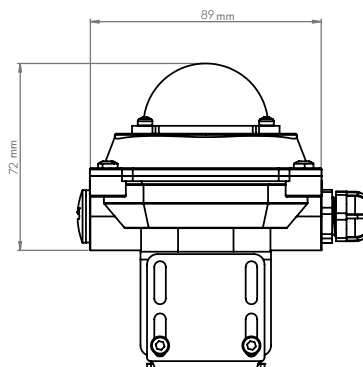


UNIVERSAL BRACKET

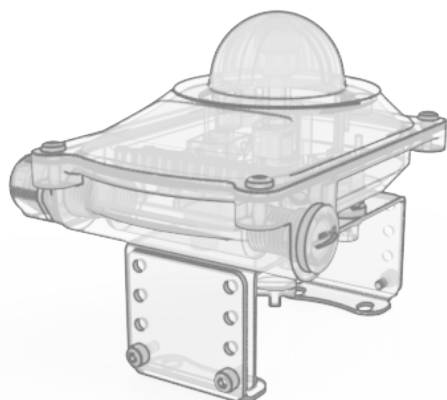
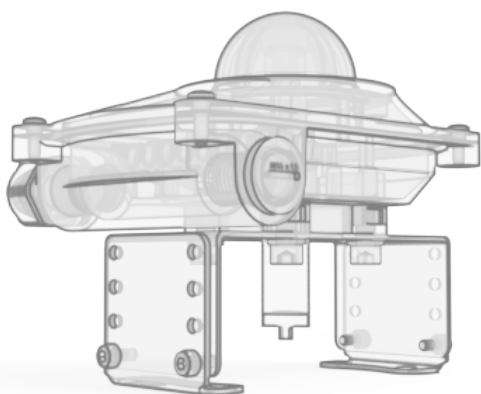
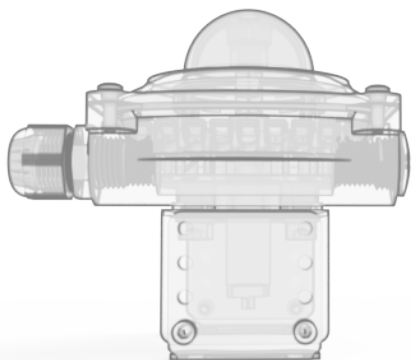
- 80 X 30 X 45 mm
- 80 X 30 X 55 mm
- 130 X 30 X 55 mm
- 130 X 30 X 75 mm

SMALL BRACKET

- 50 X 25 X 45 mm



J+J



2504V1

MADE IN THE EUROPEAN UNION



Polígon Industrial Sud
Carrer de l'Orfeó Català, 7 • 08440 Cardedeu
Barcelona (Spain)



(+34) 93 871 33 04



info@jjbcn.com



www.jjbcn.com