

Datasheet - J4C 140

GENERAL CHARACTERISTICS

Housing: Anticorrosive polyamide (lid & body)

Main external shaft: stainless steel

External screws: stainless steel

Gears: Steel and polyamide

Visual position indicator: Polyamide

Dome: Polycarbonate

Adjustable internal cams: Polyamide

Electric motor: 24VDC Brushless motor

Insulation: Class B

(IEC 60034) Service: S4



Model	S140	B140
Voltage VDC/VAC 50/60Hz-0/+5%	24 a 240 VDC/VAC	12 VDC/VAC ONLY

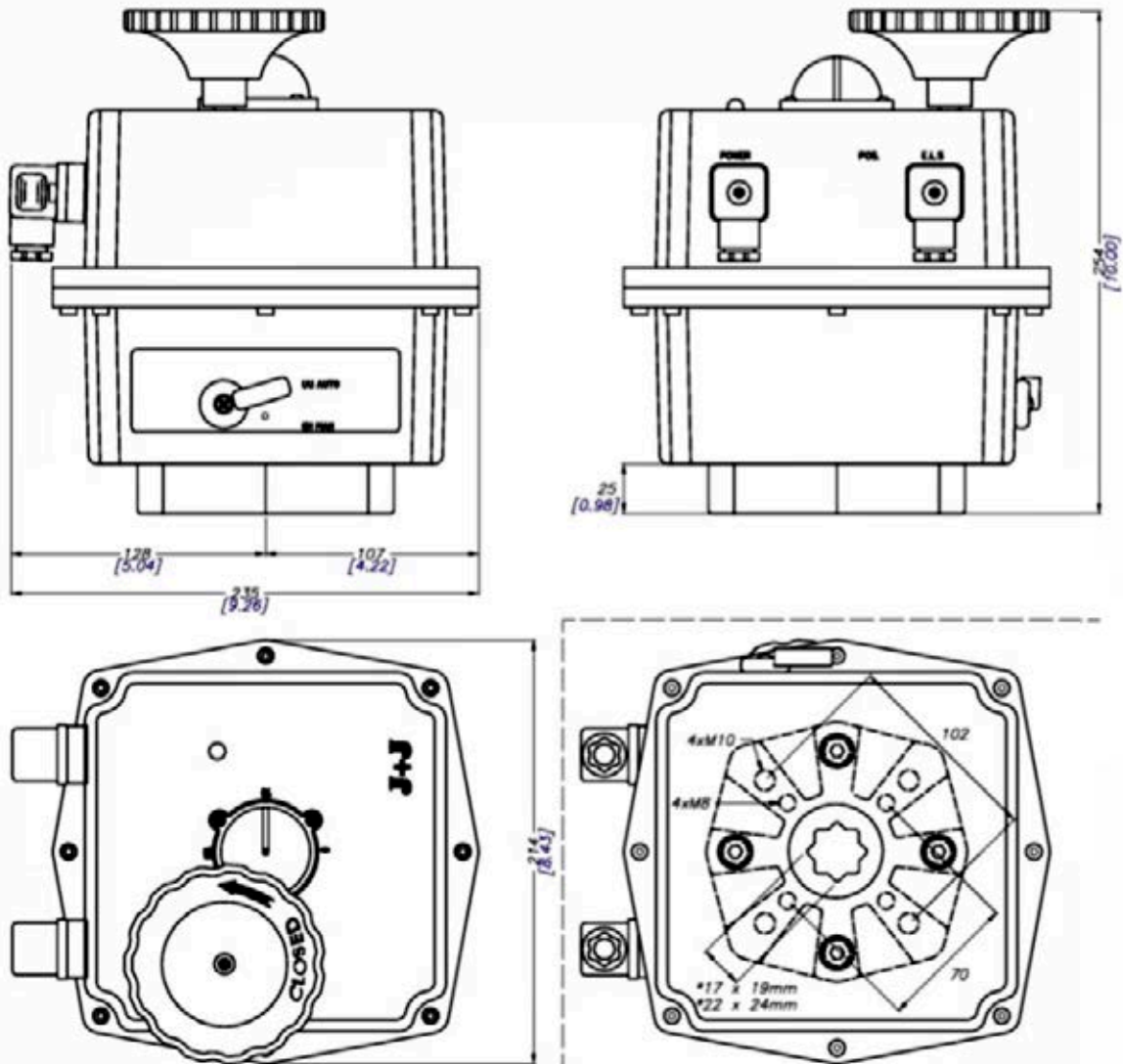
Model	S140 / B140
Operation time unload	34 Sec./90°
Maximum torque break	170 Nm / 1504,5 lb/in
Maximum operational torque	140 Nm / 1239 lb/in
Duty rating	75 %
Max. Working angle	0° to 270°
Limit switch	4 SPST NO micro (2 motor stop and 2 confirmations)
Automatic heater	3,5 W
Big Plug	EN175301-803 FORM A
Small Plug	DIN43650/C
Protection IEC 60529 rating	IP67
Temperature	-20°C +70°C / -4°F +158°F
ISO 5211 Plate	Standard: F07/F10 Optional: F12
DIN 3337 Female output drive	Standard: *22 Optional: *17mm
Weight	5,2Kg

Options

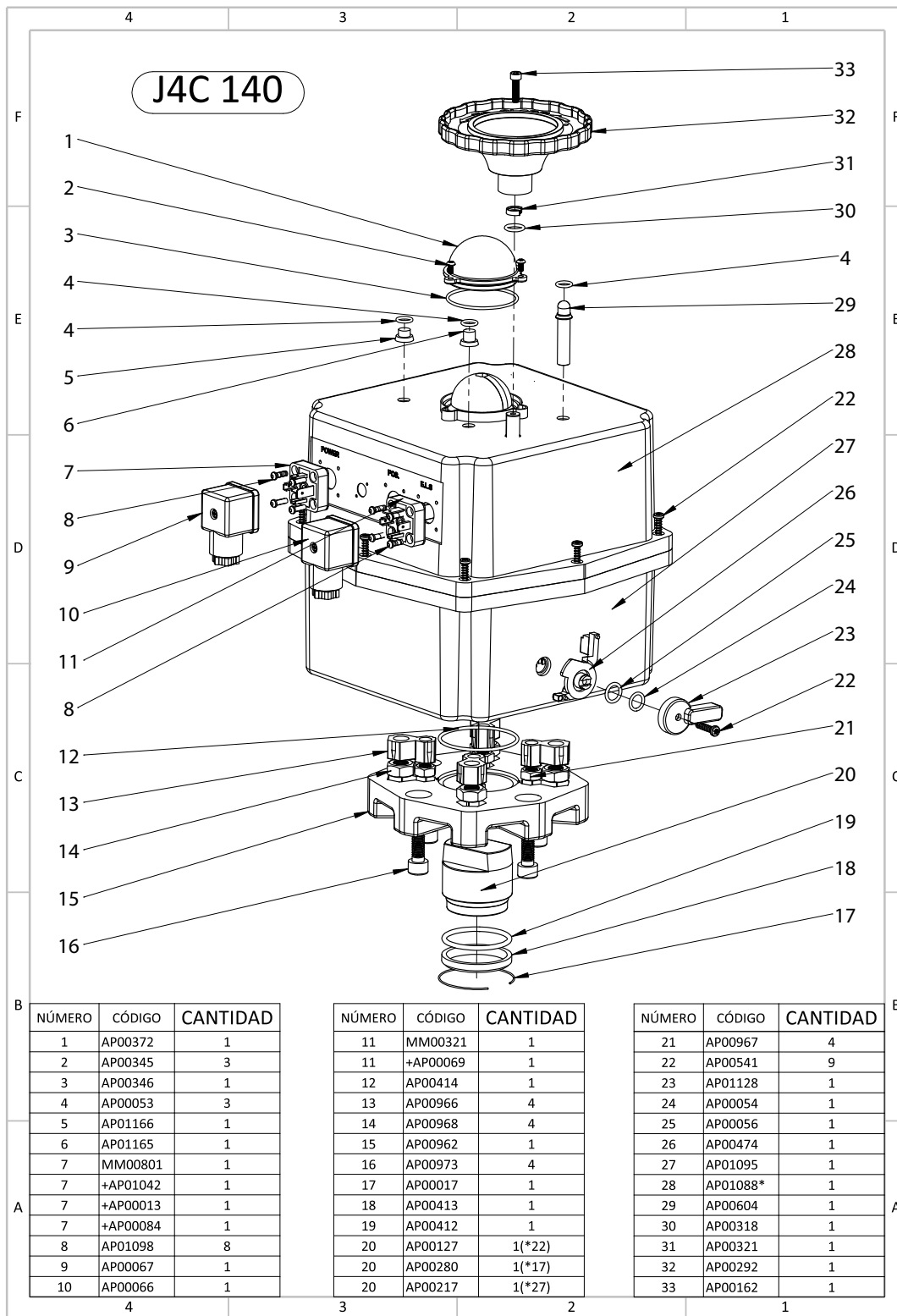
J4C 20/85 KIT DPS digital positioner:	4-20mA, 0-20mA, 0-10V or 1-10V
J4C 20/85 KIT BSR emergency fail safe kit system by battery	NC- NO
Potentiometer	1K, 5K or 10K
3 position actuator	0°-45°-90° or 0°-90°-180°



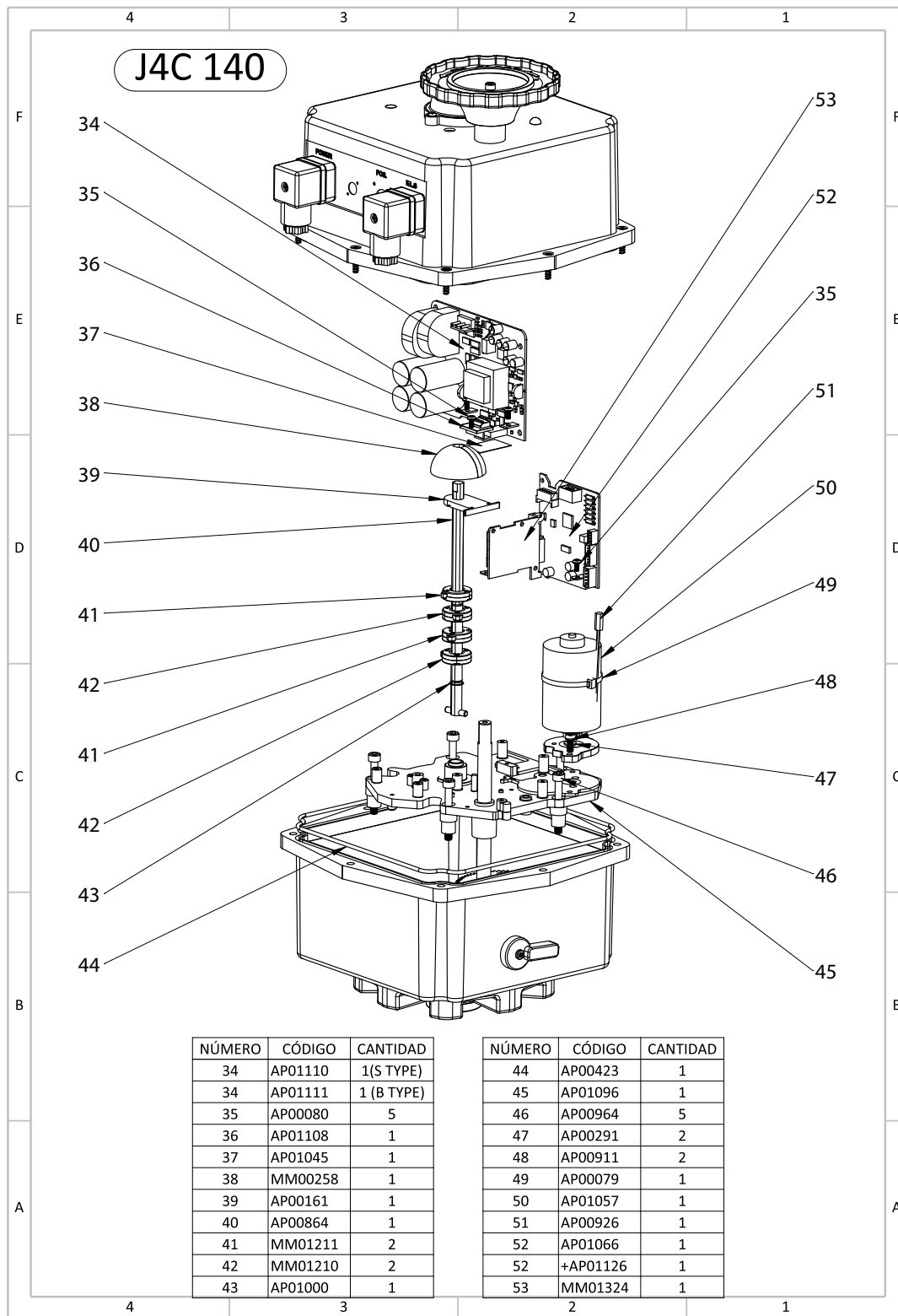
J4C 140 SIZES



Exploded View



Exploded View



Exploded View

