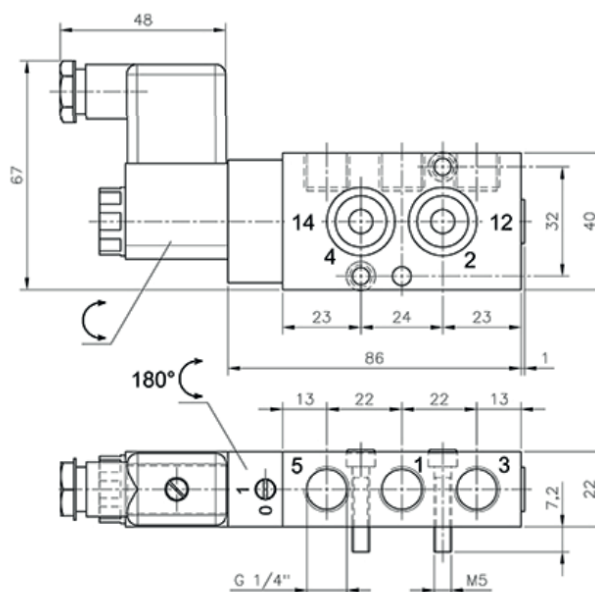


ATEX EEX IA IIC SERIES NAMUR TYPE SOLENOID VALVE



Explosion proof solenoid valve with NAMUR interface | monostable | air spring return | with manual override | ATEX



SPECIFICATIONS

Port size	G 1/4"
Air flow	1250 l/min
Operating pressure	2...10 bar
Function	single solenoid
Power consumption	3 W / 5 VA
Interface	NAMUR [1/4"]